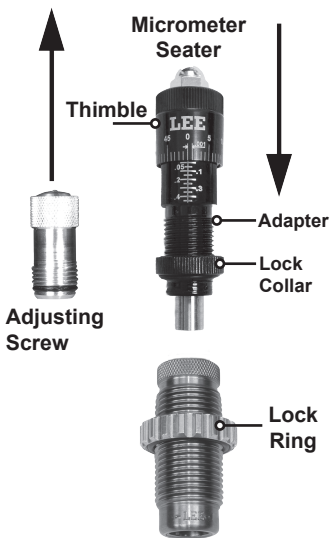


INSTRUCTIONS

Installation: Un-thread the adjusting screw from the top of the crimp die. Thread the carbide factory crimp die into press until it just touches the shell holder. Finger tighten the lock ring.

Crimp Adjustment: Install a flared case into press shell holder. Screw the Micrometer seater into die body in until it stops. Adjust adapter deeper if crimp is desired and snug lock collar.

Bullet Seating adjustment: Install a flared case with bullet on top. Rotate the thimble clockwise until overall length is achieved. Adjust the cartridge overall length to the desired length by turning the thimble in clockwise, remembering each line on the thimble represents .001". The Micrometer Seater reads exactly the same as a precision depth micrometer.



Carbide Factory Crimp Die
sold separately

30 Super Carry

91890

LEE PRECISION, INC.
www.leeprecision.com



LEE

92109



30 Super Carry Factory Crimp Micrometer Seater Adapter



WARNING: This product may contain steel alloyed with trace amounts of lead and other elements which are known to the State of California to cause reproductive harm and cancer. For more information, go to www.P65Warnings.ca.gov. To prevent exposure, do not alter the product by welding, grinding, etc.